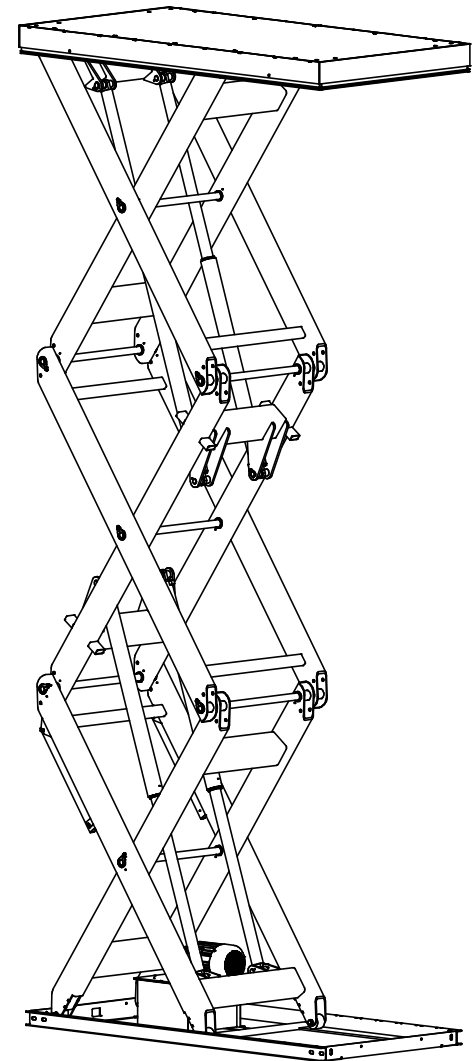
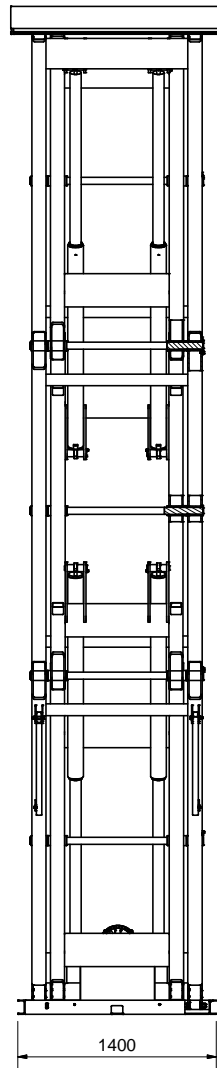
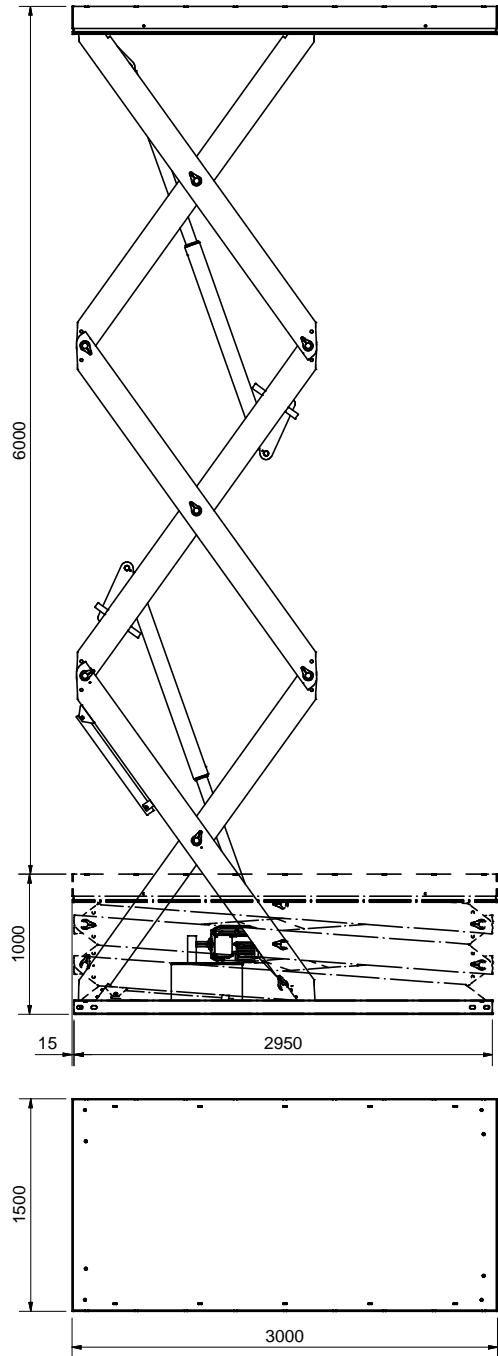

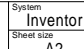


This document must not be copied, without our written permission, and the contents thereof must not be imparted to a third party nor be used for any unauthorized purpose. Contention will be pursued.



Lyftbord		Drawn	NIKGI	Date	2010-10-21
Sammanställning		Scale	1:25	Est. weight	N/A
TPT 4000 (3000x1500)		Document kind	Konstruktionsritning		
 General tolerances for dimensions without indication according to ISO 2768-m	 System Sheet size	Drawing no		Revision	
		604124		A	